

milking Machine 230863

1(2)

230863

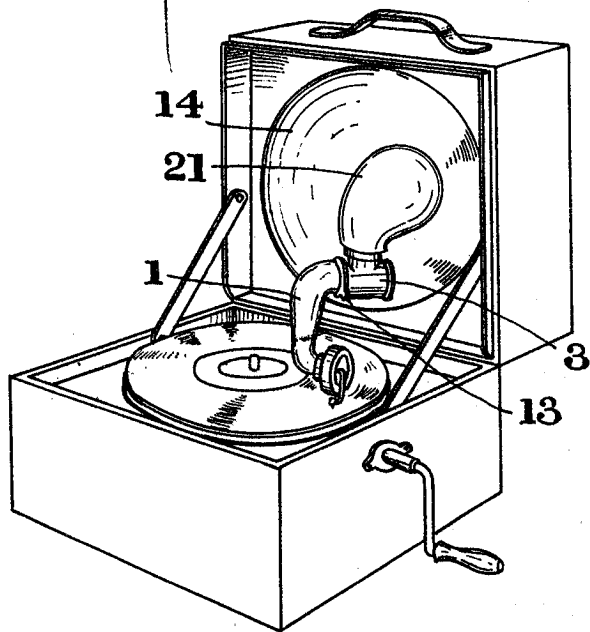


Fig. 1.

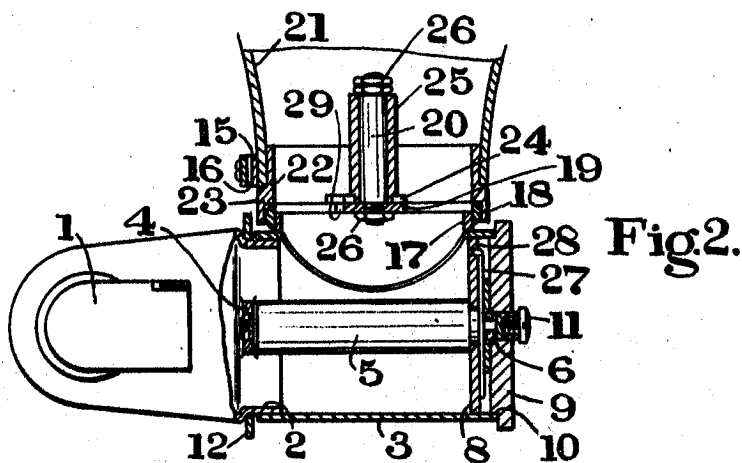


Fig. 2.

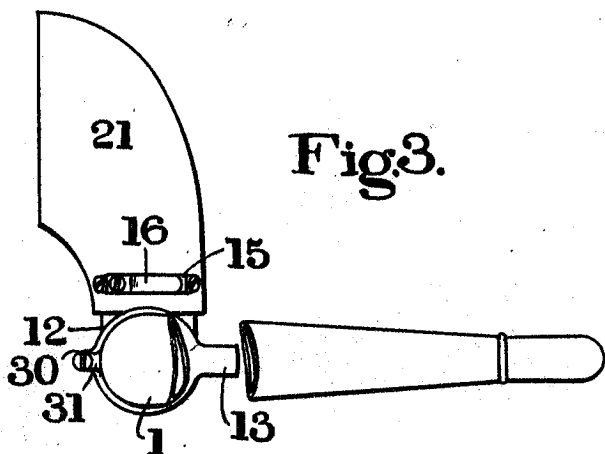


Fig. 3.

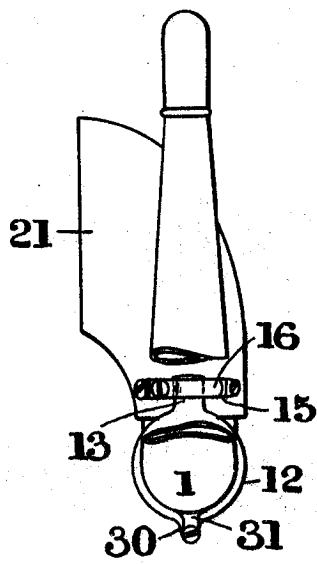


Fig. 4.

Witnesses

J. C. Sherman
H. C. Merrill

Certified to be the Drawings referred to
in the Specification hereunto annexed.

TORONTO, Sept. 25th 1922

Inventor

W. J. Samuel
by H. P. Dennison, Atty.

230863

2(2)

230863

IX

Fig. 5.

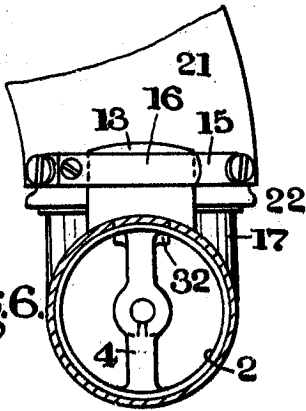
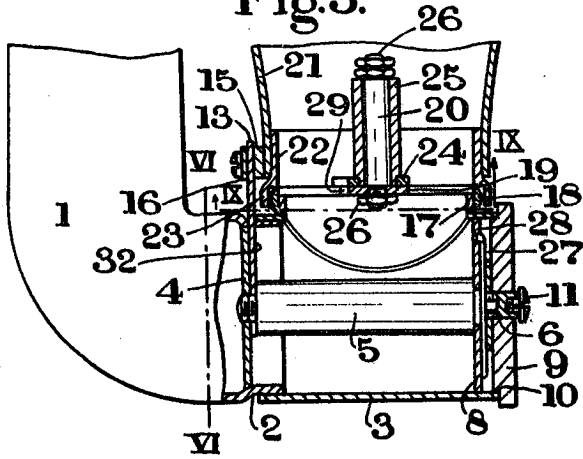


Fig. 6.

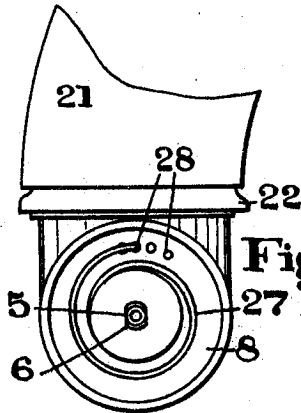


Fig. 7.

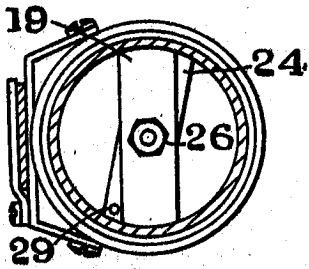


Fig. 9.

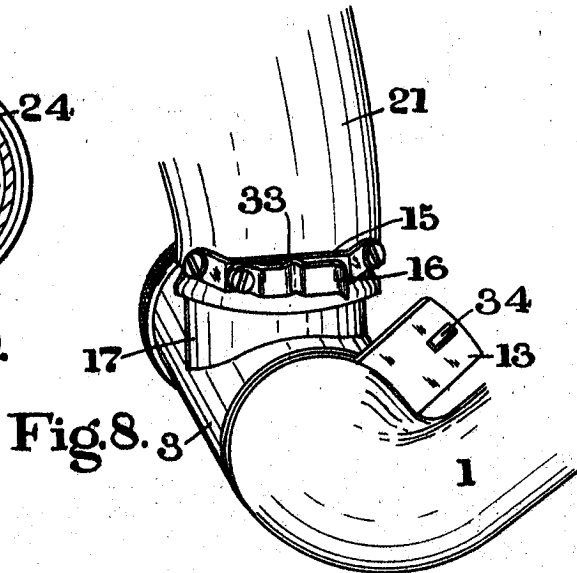


Fig. 8.

Witnesses

J. C. Sherman
A. R. Munn, C.E.

Certified to be the Drawings referred to
in the Specification hereunto annexed.

TORONTO, Sept. 25th 1922

Inventor

W. S. Samuel
by H. P. S. Dennis, C.E.